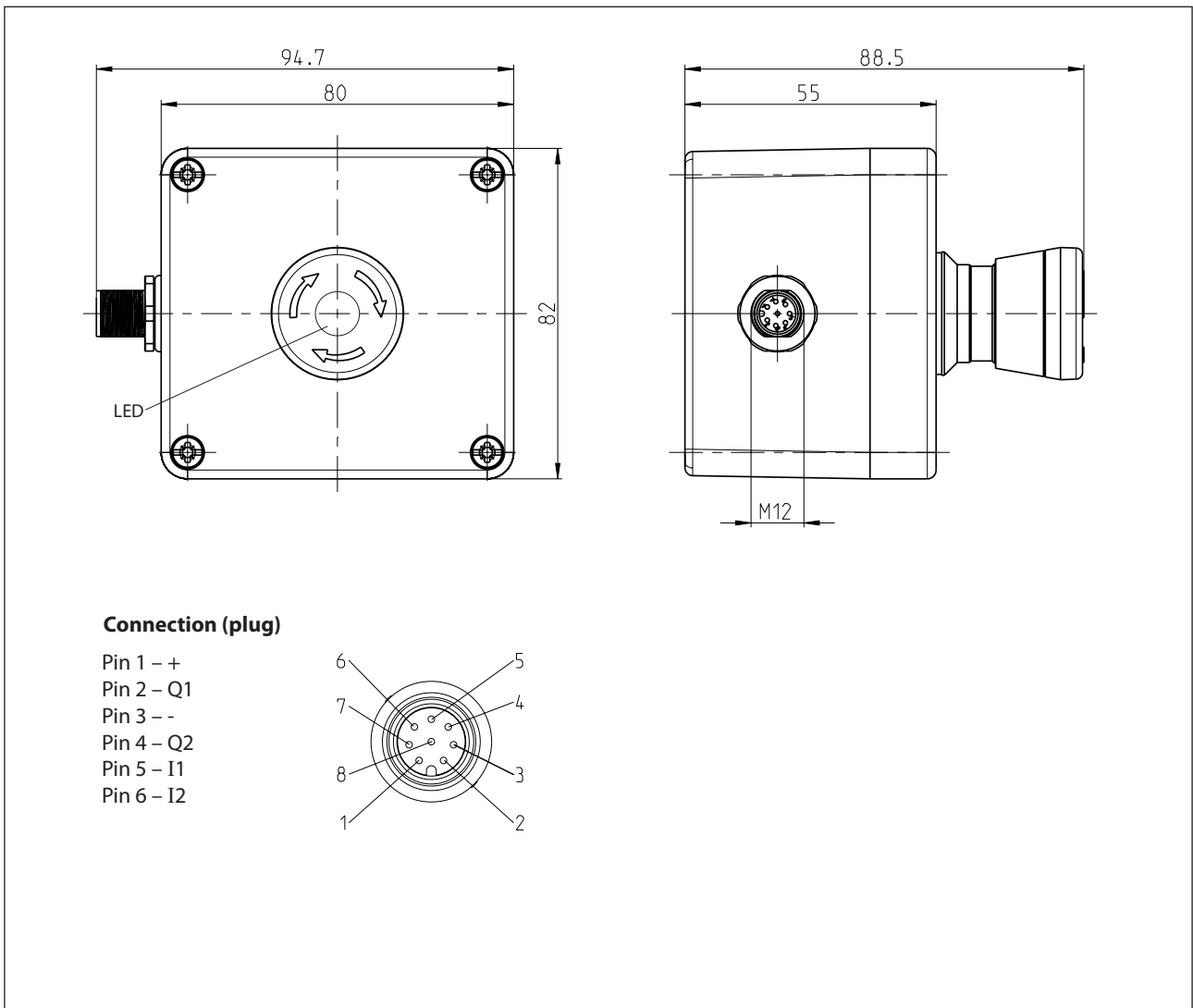


**Emergency stop**  
Series SEU

Description **SEU-2/0-P80-C**

Article number **6075689138**




Electrical Data		
Rated operating voltage	$U_e$	24 V, Reverse polarity protection, +25 %, - 20 % (PELV / SELV power supply unit)
Rated insulation voltage	$U_i$	75 V DC
Rated impulse withstand voltage	$U_{imp}$	500 V
Rated conditional short circuit current		100 A
No-load current	$I_o$	≤ 50 mA
Switch-off	$t_a$	max. 40 ms
Time delay	$t_v$	max. 2 s
Electromagnetic interference		according to EN 61326-1 TAB.2 and EN 61326-3-1
Outputs Q1,Q2		
Voltage level		according to Typ 3 EN 61131-2
Switching element function		pnp NO
Rated operating current	$I_e$	100 mA
Leakage current	$I_r$	≤ 1 mA DC
Switching elements		Sustained short-circuit and overload protection
Voltage drop	$U_d$	≤ 3 V
Type of short circuit protection		thermal / digital (clocking)
Utilization category		DC-13

Mechanical Data		
Enclosure		PC
Gasket		PUR
Emergency stop control		
	contact function	latching
	reset device	by turning to the right
Mounting		4 holes Ø 4,2 (for M4 screws)
Indication		1 x LED red / green operating state and actuating state
Shock and Swing		acc. to EN IEC 60947-5-2
Ambient temperature		-25°C ... +70°C
Storage temperature		-25°C ... +70°C
Maximum relative humidity		93 % @ 40 °C without condensation
Altitude		≤ 2000 m NHN
Connection		Plug connector M12 male, 8-pole
Type of protection		IP65 (DIN EN 60529)
Protection class acc. to EN IEC 61558		III

Safety data		
Up to PL <sup>1)</sup>	e	acc. to EN ISO 13849-1
Category <sup>1)</sup>	4	
PFH <sub>D</sub> <sup>1)</sup>	6,6 x 10 <sup>-9</sup> 1/h	acc. to DIN EN 62061
SIL CL <sup>1)</sup>	3	
Service life	20 years	
B <sub>10D</sub> mechanics	1.300.000	
<sup>1)</sup> At 1000 actuation cycles during the service life.		

Standards	
	EN 61326-1, EN 61326-3-1
	EN ISO 13849-1, EN 62061
	EN 60947-5-5

EU-Conformity	
	according to directive 2006/42/EG (Safety-of-Machinery-Directive)
	according to directive 2011/65/EU (RoHS II)
	according to directive 2014/30/EU (EMV-Richtlinie)
	according to directive 2012/19/EU (EU-WEEE II) 

Approvals	
	TÜV Nord

Notes	
The specified protection classification (IP code) applies only when an appropriate plug connector is used.	